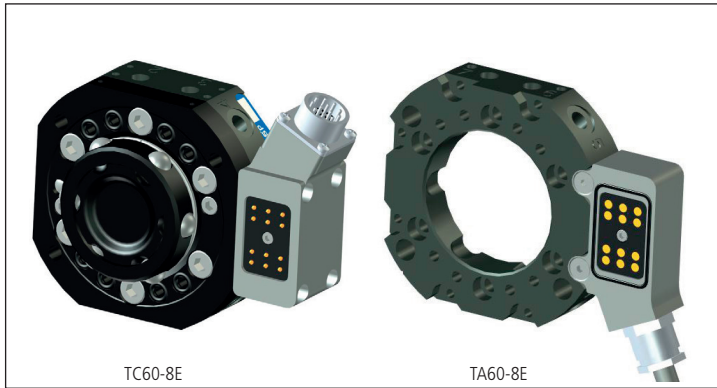


# Tool Changer

## TC60

Tool changers | Swivels | Swivels with tool changer | Grippers | Hose packages | Valve units | Tool systems



### Advantages

- Robust design for high torque applications
- Fast docking with high tolerance
- Absolute positioning repeatability
- 3D-models for Robot CAD-systems
- Low maintenance and high uptime

### Description

Robot System Products tool changers are designed to maximize the flexibility and reliability of your robot fleet. Robustness and high safety are combined with low weight and compactness. The patented locking device TrueConnect™ has a minimum of play and gives a practically, through the lifespan, absolute positioning repeatability. RSP tool changers make it possible for you to perform tool changing operations continuously day out and day in.

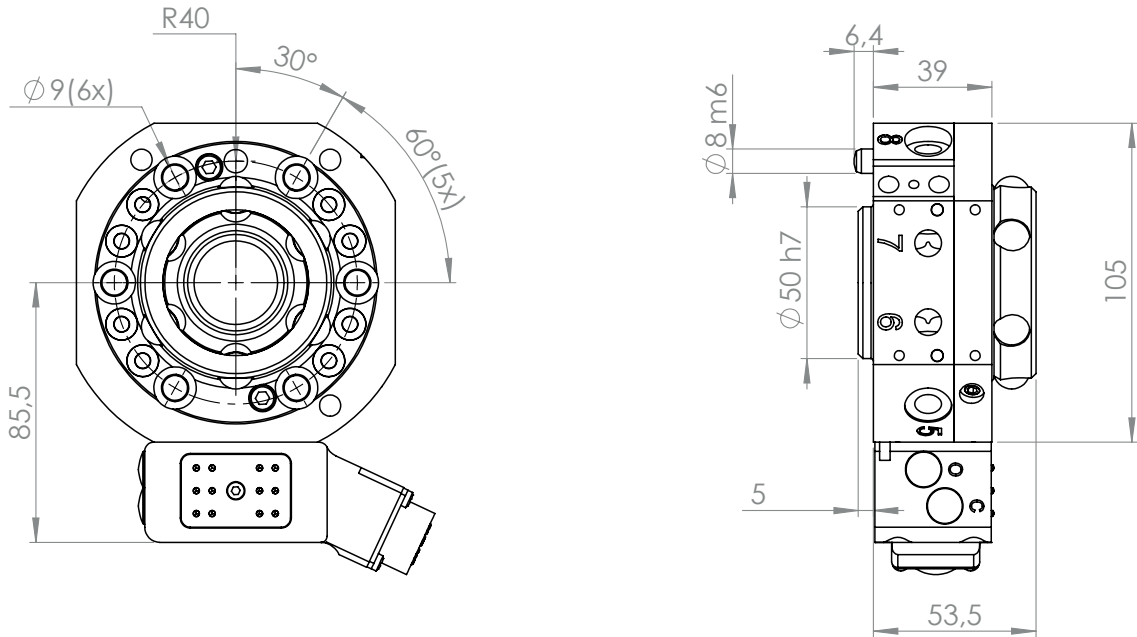
### Technical data

Article	Part No	Handling capacity (kg)	Air ducts	Mechanical Interface	Electrical signals	Weight (kg)	Mz (Dynamic)	Mx/My (Dynamic)
<b>Tool Changer</b>								
TC60-8	P1301A	60	10	ISO 9409-1 80-6-M8	-	1.8	± 500 Nm	± 600 Nm
TC60-8E	P1303A	60	10	ISO 9409-1 80-6-M8	12	1.9	± 500 Nm	± 600 Nm
<b>Tool Attachment</b>								
TA60-8	P1302	60	8	ISO 9409-1 80-6-M8	-	1.0	± 500 Nm	± 600 Nm
TA60-8E	P1304	60	8	ISO 9409-1 80-6-M8	12	1.1	± 500 Nm	± 600 Nm

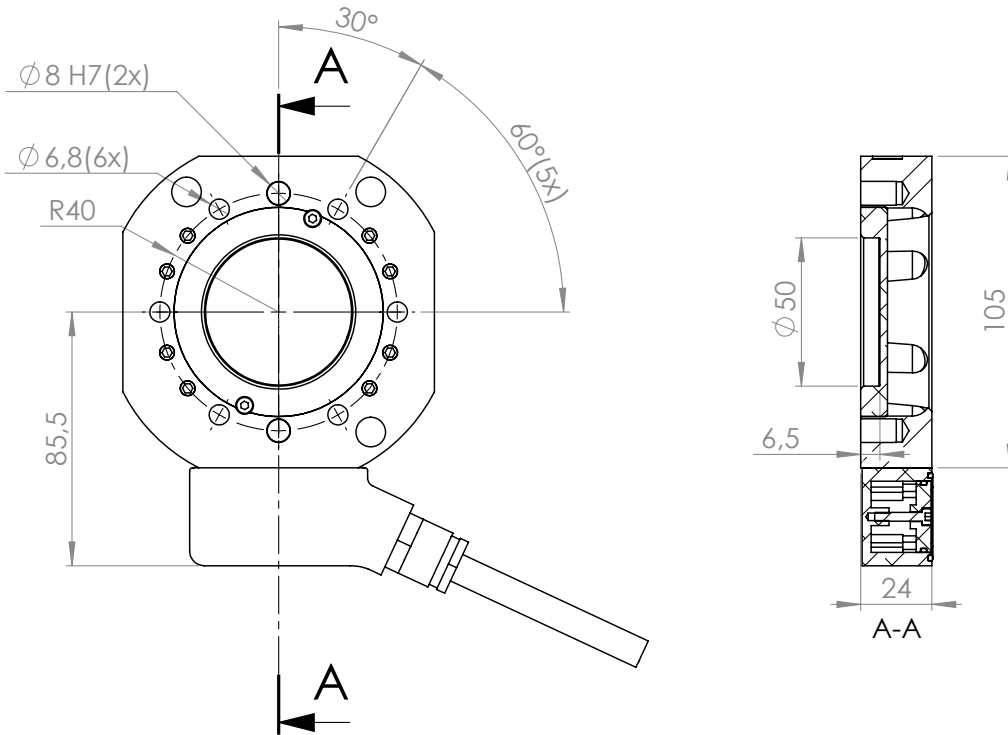
Air ducts	
Max air pressure	10 bar
Air quality	Oil-clean and waterless filtered air, max 25 µm particle content
Air flow / channel	400 l/min
Air connections	G 1/8"

Electrical Signals	
Max voltage	60V
Max current	1A
Connections	Robot side : 12P Souriau Tool side: 0.5m 12x 0.5mm2 open end

TC60-8E



TA60-8E



B1301-1\_2



Robot System Products is a global leader in high-performance industrial robot peripheral products. Our expertise is to provide tested and field proven robotic system solutions that improve robot flexibility, utilization and uptime.

Visit us at [www.rsp.eu.com](http://www.rsp.eu.com)

