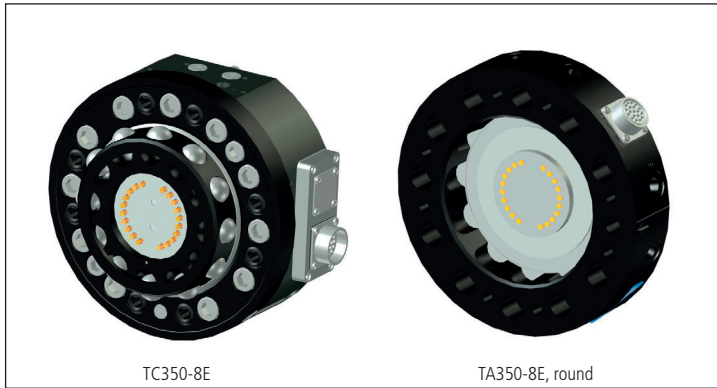


# Tool Changer

## TC350

Tool changers | Swivels | Swivels with tool changer | Grippers | Hose packages | Valve units | Tool systems



### Advantages

- Robust design for high torque applications
- Fast docking with high tolerance
- Absolute positioning repeatability
- 3D-models for Robot CAD-systems
- Low maintenance and high uptime

### Description

Robot System Products tool changers are designed to maximize the flexibility and reliability of your robot fleet. Robustness and high safety are combined with low weight and compactness. The patented locking device TrueConnect™ has a minimum of play and gives a practically, through the lifespan, absolute positioning repeatability. RSP tool changers make it possible for you to perform tool changing operations continuously day out and day in.

### Technical data

Article	Part No	Handling capacity (kg)	Air ducts	Mechanical Interface	Electrical signals	Weight (kg)	Mz (Dynamic)	Mx/My (Dynamic)
<b>Tool Changer</b>								
TC350-8	P0601	350	10	ISO 9409-1 160-11-M12	-	10.5	± 3500 Nm	± 3500 Nm
TC350-8E	P0603	350	10	ISO 9409-1 160-11-M12	21	10.5	± 3500 Nm	± 3500 Nm
<b>Tool Attachment</b>								
TA350-8, round	P0606	350	8	ISO 9409-1 160-11-M12	-	5.3	± 3500 Nm	± 3500 Nm
TA350-8, square	P0602	350	8	ISO 9409-1 160-11-M12	-	5.7	± 3500 Nm	± 3500 Nm
TA350-8E, round	P0608	350	8	ISO 9409-1 160-11-M12	19	5.5	± 3500 Nm	± 3500 Nm
TA350-8E, square	P0604	350	8	ISO 9409-1 160-11-M12	17	6.2	± 3500 Nm	± 3500 Nm

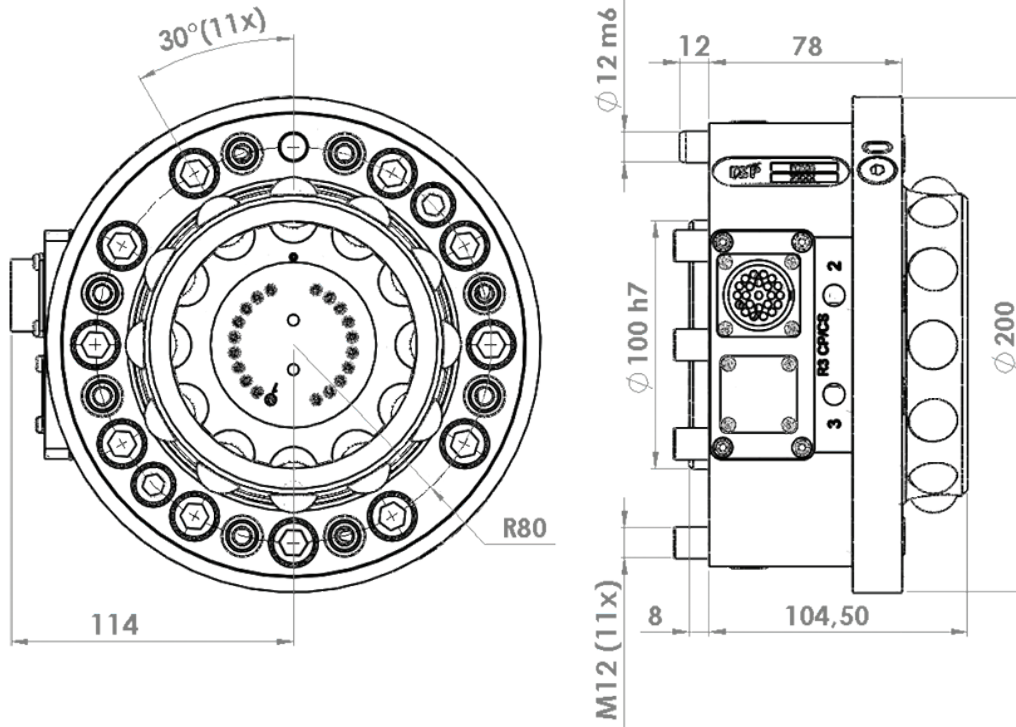
#### Air ducts

Max air pressure	10 bar
Air quality	Oil-clean and waterless filtered air, max 25 µm particle content
Air flow / channel	1600 l/min
Air connections	Robot side: G 1/4", 2x G 1/8" Tool side: G 1/4"

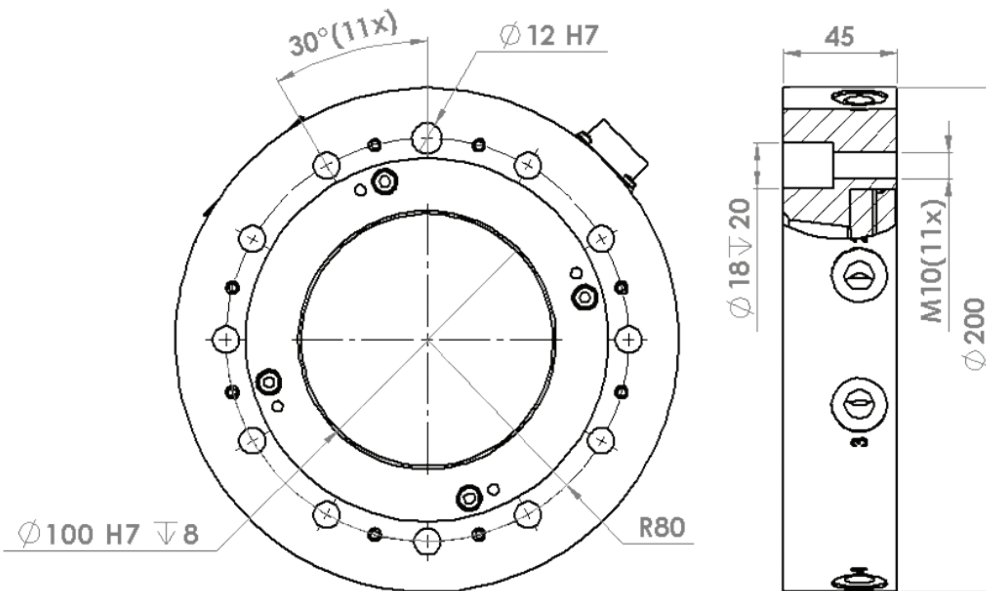
#### Electrical Signals

Max voltage	60V
Max current	2A
Connections	Robot side :23P Souriau Tool side: 19S Souriau (P0608) / 1m 20 x 0.5mm <sup>2</sup> cable (P0604)

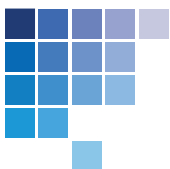
TC350-8E



TA350-8E, round



B0601-1\_3



Robot System Products is a global leader in high-performance industrial robot peripheral products. Our expertise is to provide tested and field proven robotic system solutions that improve robot flexibility, utilization and uptime.

Visit us at [www.rsp.eu.com](http://www.rsp.eu.com)

