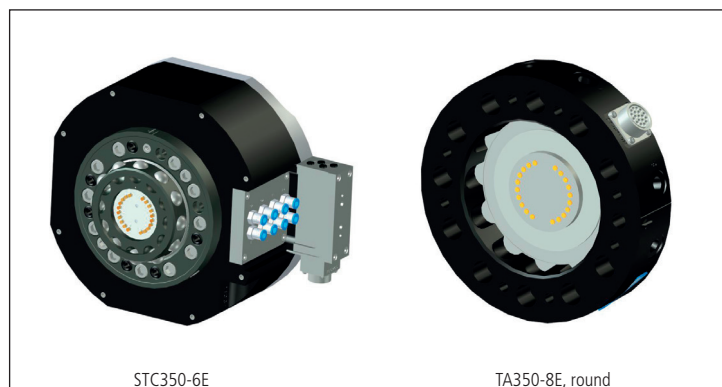


Swivel Tool Changer

STC350

Tool changers | Swivels | **Swivels with tool changer** | Grippers | Hose packages | Valve units | Tool systems



Advantages

- Fast docking with high tolerance
- Absolute positioning repeatability
- Free rotation axis 6
- No limits to axis 4 and 5 when used with RSP hose packages
- Low weight and high corrosion resistance
- Low maintenance and high uptime

Description

Robot System Products swivels with tool changers unite the best out of two technologies. With the TrueConnect™ tool changing mechanism integrated with our swivel technology, absolute positioning repeatability and large tolerances at docking is combined with full motional freedom of your robots – axis 6 is allowed to rotate freely without being limited by hoses, cables or other obstacles.

Technical data

| Article | Part No | Handling capacity (kg) | Air ducts | Mechanical Interface | Electrical signals | Weight (kg) | Mz (Dynamic) | Mx/My (Dynamic) |
|----------------------------|---------|------------------------|-----------|-----------------------|--------------------|-------------|--------------|-----------------|
| Swivel Tool Changer | | | | | | | | |
| STC350-6 | P0605 | 350 | 8 | ISO 9409-1 160-11-M12 | - | 22.8 | ± 3500 Nm | ± 3500 Nm |
| STC350-6E | P0607 | 350 | 8 | ISO 9409-1 160-11-M12 | 14 | 23.0 | ± 3500 Nm | ± 3500 Nm |
| STC350-6E | P1618 | 350 | 8 | ISO 9409-1 160-11-M12 | 14 | 23.0 | ± 3500 Nm | ± 3500 Nm |
| Tool Attachment | | | | | | | | |
| TA350-8, round | P0606 | 350 | 8 | ISO 9409-1 160-11-M12 | - | 5.3 | ± 3500 Nm | ± 3500 Nm |
| TA350-8, square | P0602 | 350 | 8 | ISO 9409-1 160-11-M12 | - | 5.7 | ± 3500 Nm | ± 3500 Nm |
| TA350-8E, round | P0608 | 350 | 8 | ISO 9409-1 160-11-M12 | 19 | 5.5 | ± 3500 Nm | ± 3500 Nm |
| TA350-8E, round | P1619 | 350 | 8 | ISO 9409-1 160-11-M12 | 19 | 5.5 | ± 3500 Nm | ± 3500 Nm |
| TA350-8E, square | P0604 | 350 | 8 | ISO 9409-1 160-11-M12 | 19 | 6.2 | ± 3500 Nm | ± 3500 Nm |

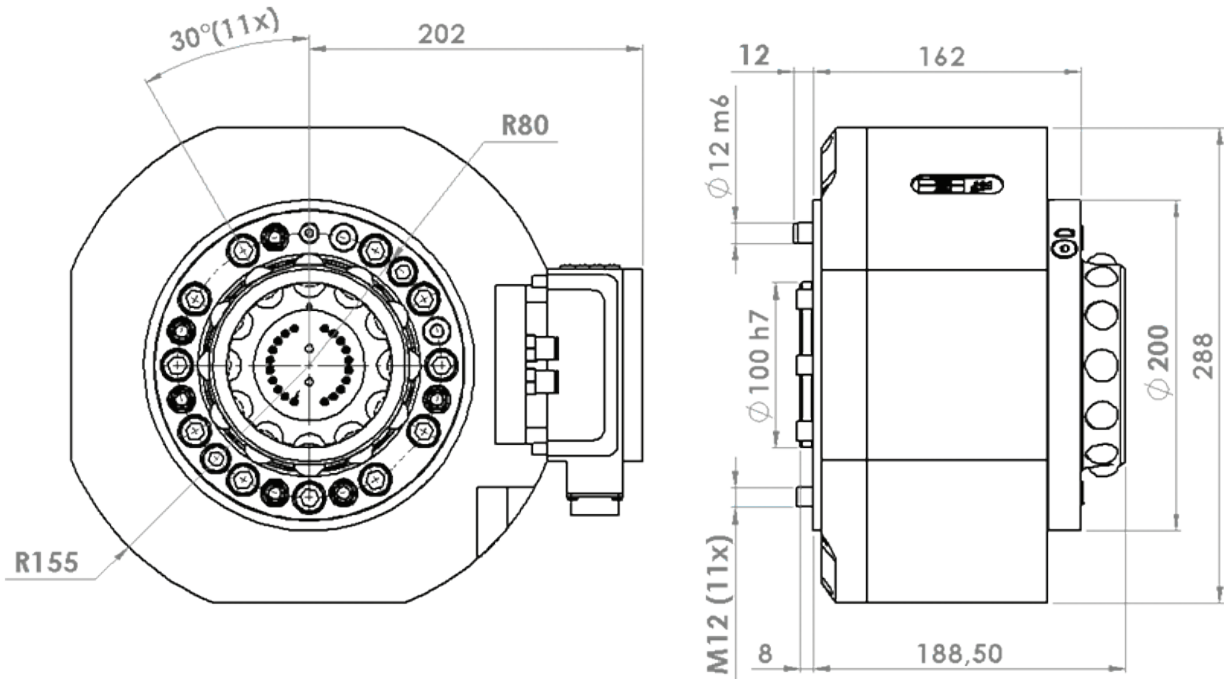
Air ducts

| | |
|--------------------|--|
| Max air pressure | 10 bar |
| Air quality | Oil-clean and waterless filtered air, max 25 µm particle content |
| Air flow / channel | 1600 l/min |
| Air connections | Robot side: 8 mm plastic hose or G 1/4" Tool side: G 1/4" |

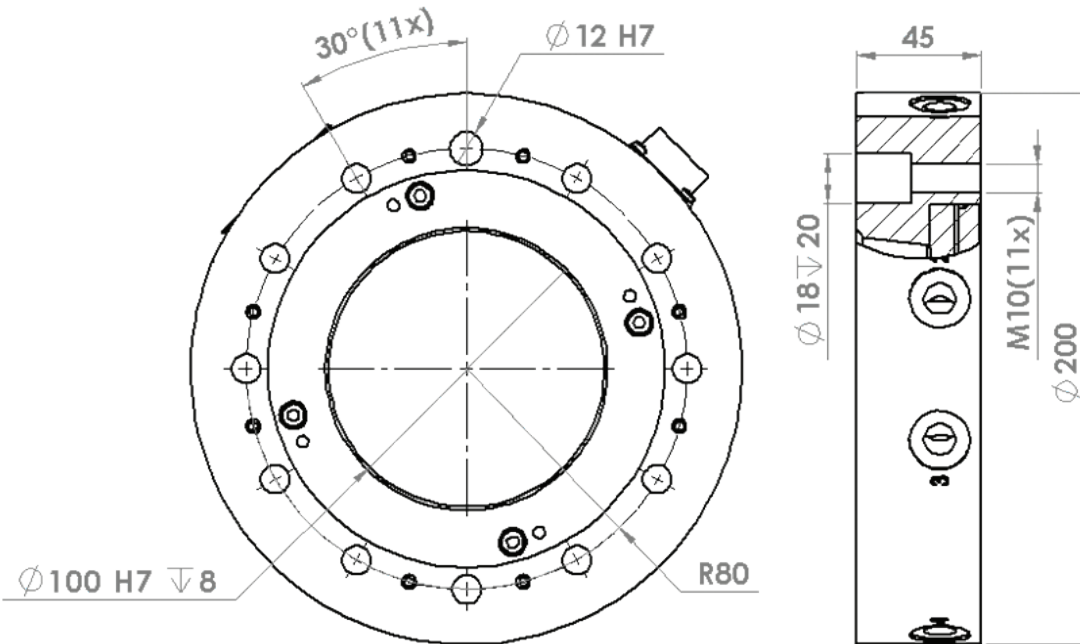
Electrical Signals

| | |
|-------------|--|
| Max voltage | 60V |
| Max current | 2A |
| Connections | Robot side: 23P Souriau (P0607) / 26P compact Souriau (P1618) Tool side: 19S Souriau (P0608) / 26P compact Souriau (P1619) / 1 m 18 x 0.5mm ² cable |

STC350-6E



TA350-8E, round



B0604-1_2



Robot System Products is a global leader in high-performance industrial robot peripheral products. Our expertise is to provide tested and field proven robotic system solutions that improve robot flexibility, utilization and uptime.

Visit us at www.rsp.eu.com

