

CiRo

Large

Tool changers | **Swivels** | Swivel tool changers | Grippers | Hose packages | Valve units | Tool systems



Advantages

- Up to $\pm 250^\circ$ rotation
- Cables and hoses can be selected freely to suit any application
- Extended hose package lifetime
- Quick and easy installation
- High reliability
- Enables offline programming

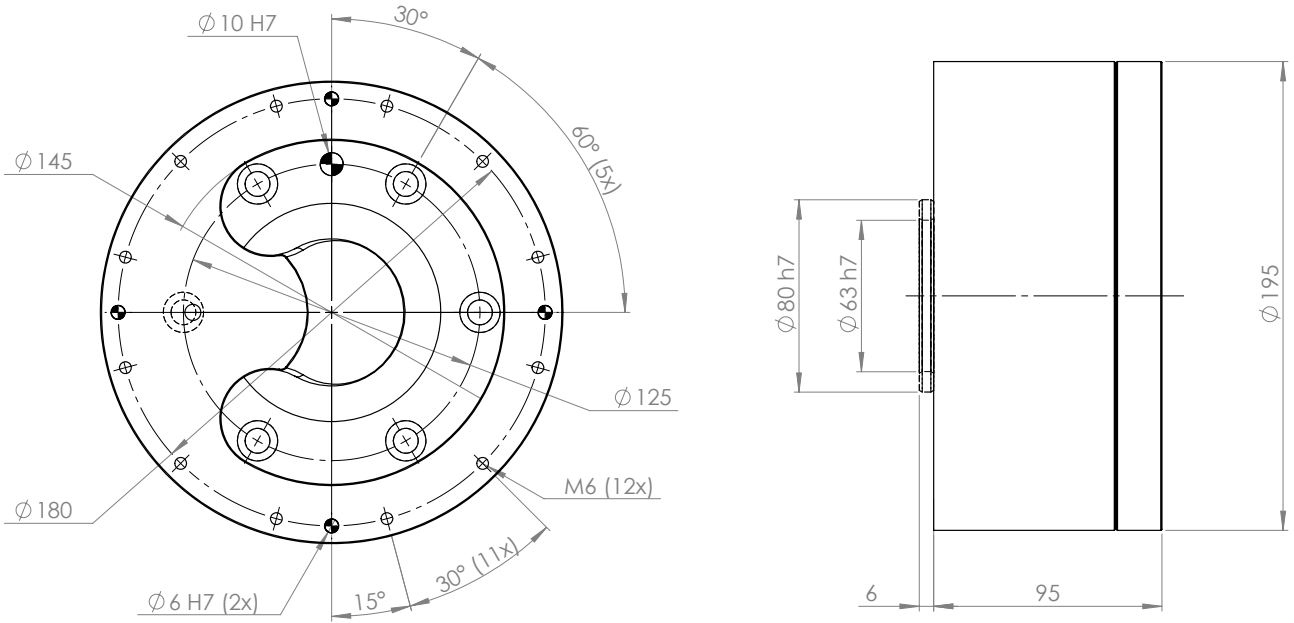
Description

CiRo is a cost-effective solution to achieve the flexibility of internal cabling. Compressed air, signals and power will be directly available at the tool or tool changer. Hoses and cables for air, signals and power can be selected according to the requirements of the application. Axis 6 can rotate with extended freedom.

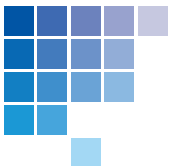
Technical data

| Article | Part No | Handling capacity (kg) | Mechanical Interface | Hose capacity (mm) | Weight (kg) | Mz (Dynamic) | Mx/My (Dynamic) |
|---------|---------|------------------------|----------------------|--------------------|-------------|---------------|-----------------|
| CiRo L1 | P5141 | 100 | ISO 9409-1 125-6-M10 | 9x $\varnothing 8$ | 8.7 | ± 1000 Nm | ± 1000 Nm |

CiRo L1



B5003-1_1



Robot System Products is a global leader in high-performance industrial robot peripheral products. Our expertise is to provide tested and field proven robotic system solutions that improve robot flexibility, utilization and uptime.

Visit us at www.rsp.eu.com

